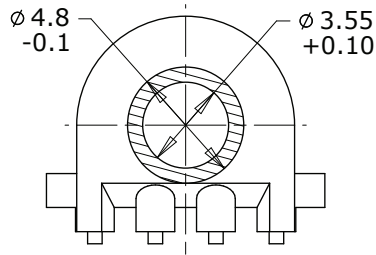
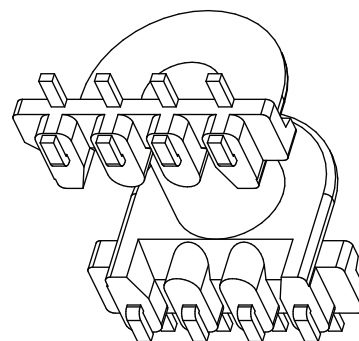
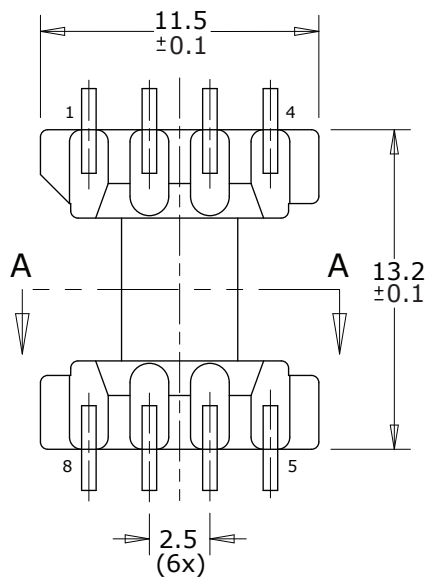
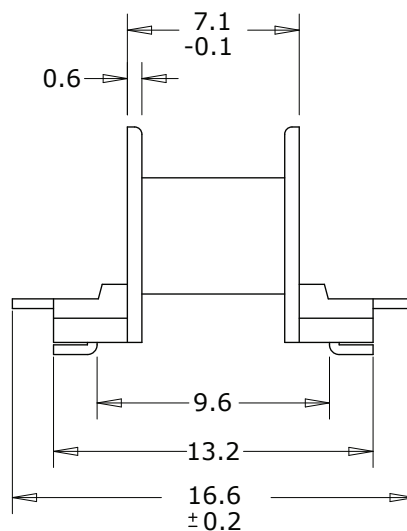
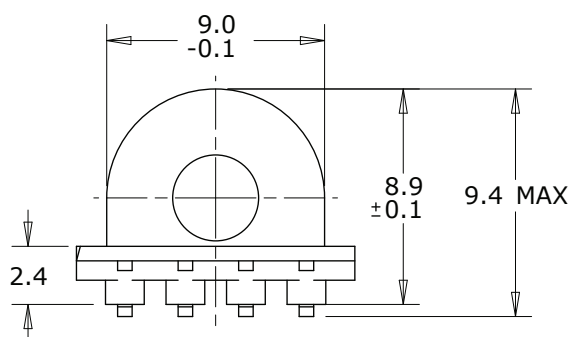
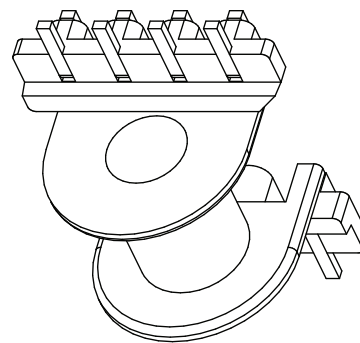


# EP10



SECTION A-A



Dimensions in millimetres

DT121 Iss. 4

Coil Former	
Coil former material	Phenolformaldehyde (PF), glass reinforced, flame retardant in accordance with "UL 94V-0"; UL file number 41429(M)
Resistance to soldering heat	"IEC 60068-2-20", Part 2, Test Tb, method 1B, 350 deg. C, 3.5 s
Pin material	0,40 x 0,70 Phosphor bronze - Tin (Sn) plated
Solderability	"IEC 60068-2-20", Part 2, Test Ta, method 1, 235 deg. C, 2 s
Pin pull out force	1.5 Kg Minimum
Part number	EP10H1S08CS-00

